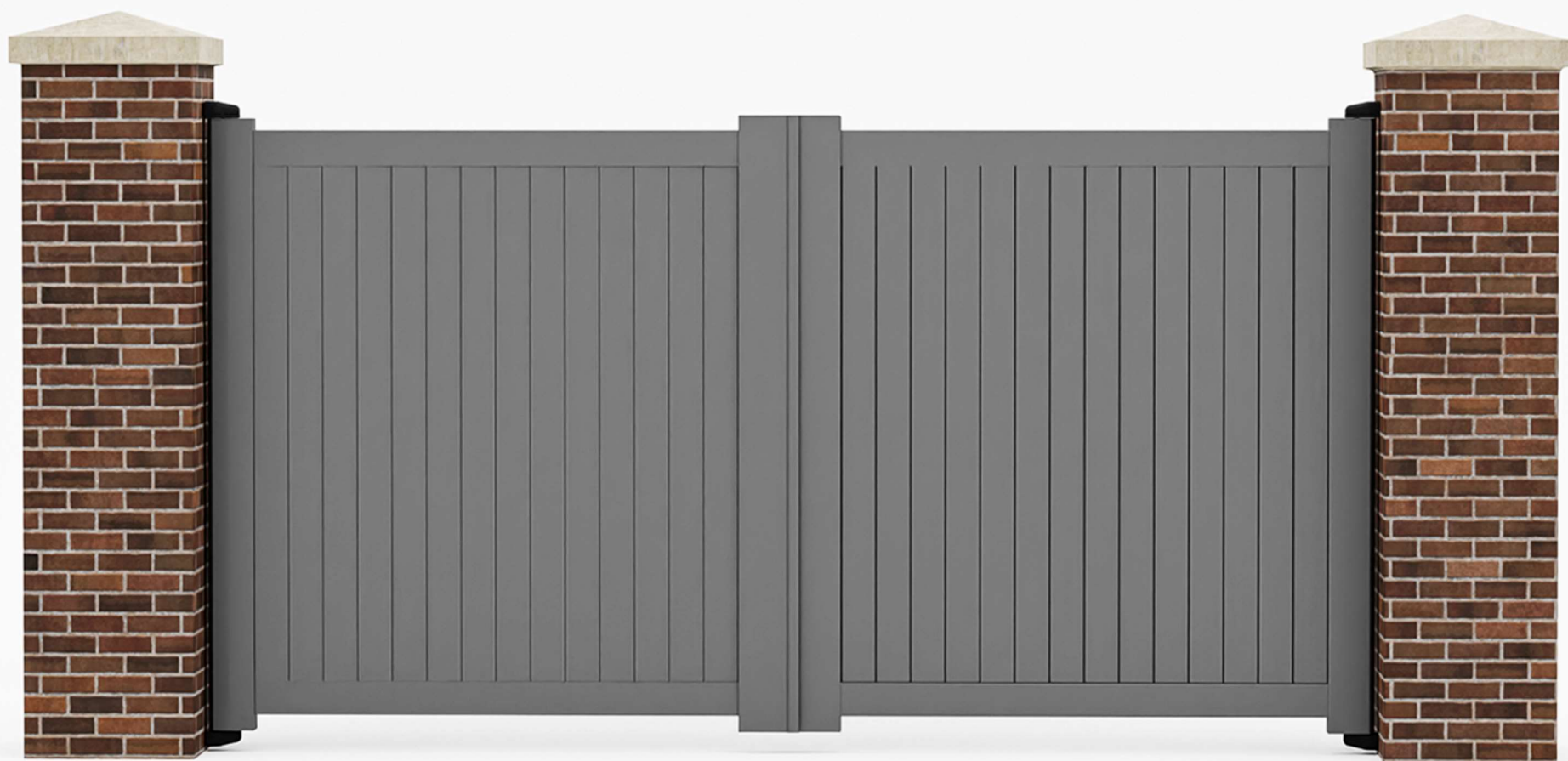
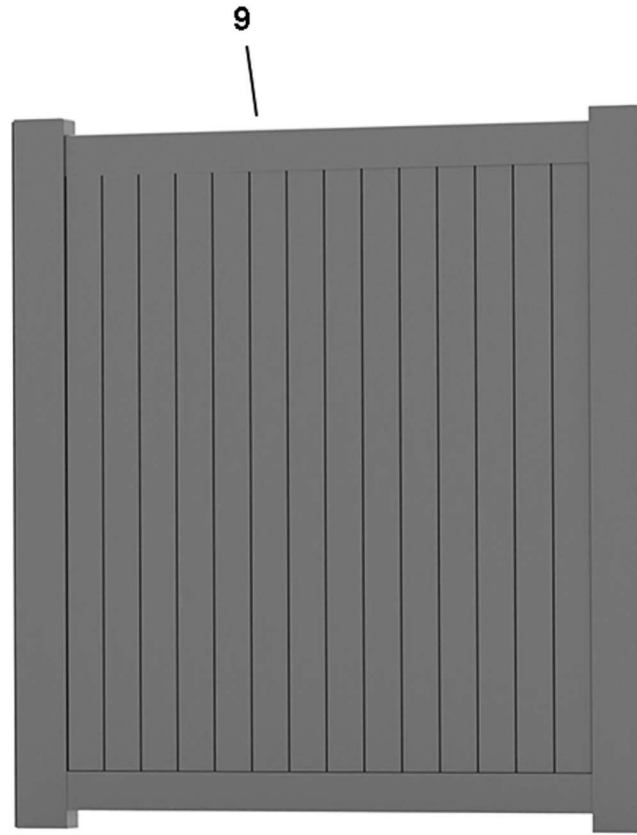
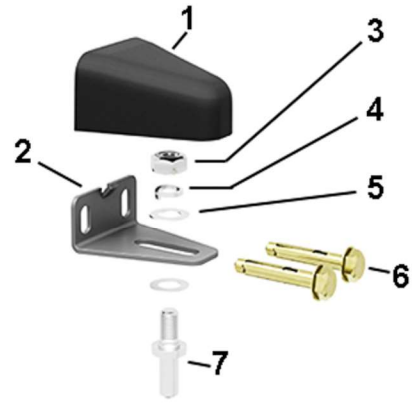


# DOUBLE WALL MOUNTED GATE





|   | DESCRIPTION            | QTY |
|---|------------------------|-----|
| 1 | HINGE COVER            | 4   |
| 2 | HINGE BRACKET          | 4   |
| 3 | M12 HINGE NUT          | 4   |
| 4 | SPRING WASHER          | 4   |
| 5 | M12 WASHER             | 4   |
| 6 | ANCHOR BOLTS           | 8   |
| 7 | HINGE SPIGOT           | 4   |
| 8 | FLOOR BRACKET          | 2   |
| 9 | READY MADE DOUBLE GATE | 2   |

# 1: CHECK GATE WIDTH



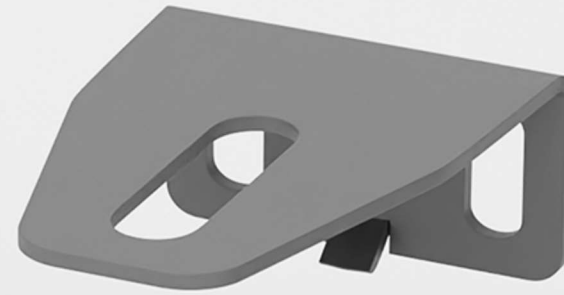
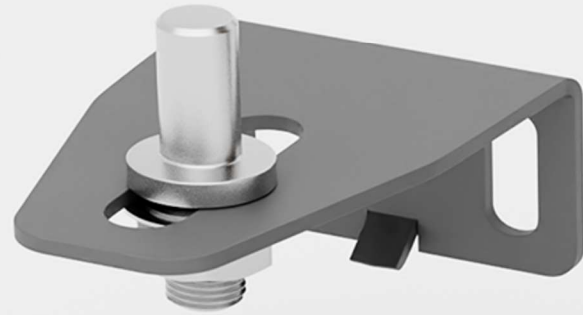


## 2: MARK & DRILL LOWER BRACKET

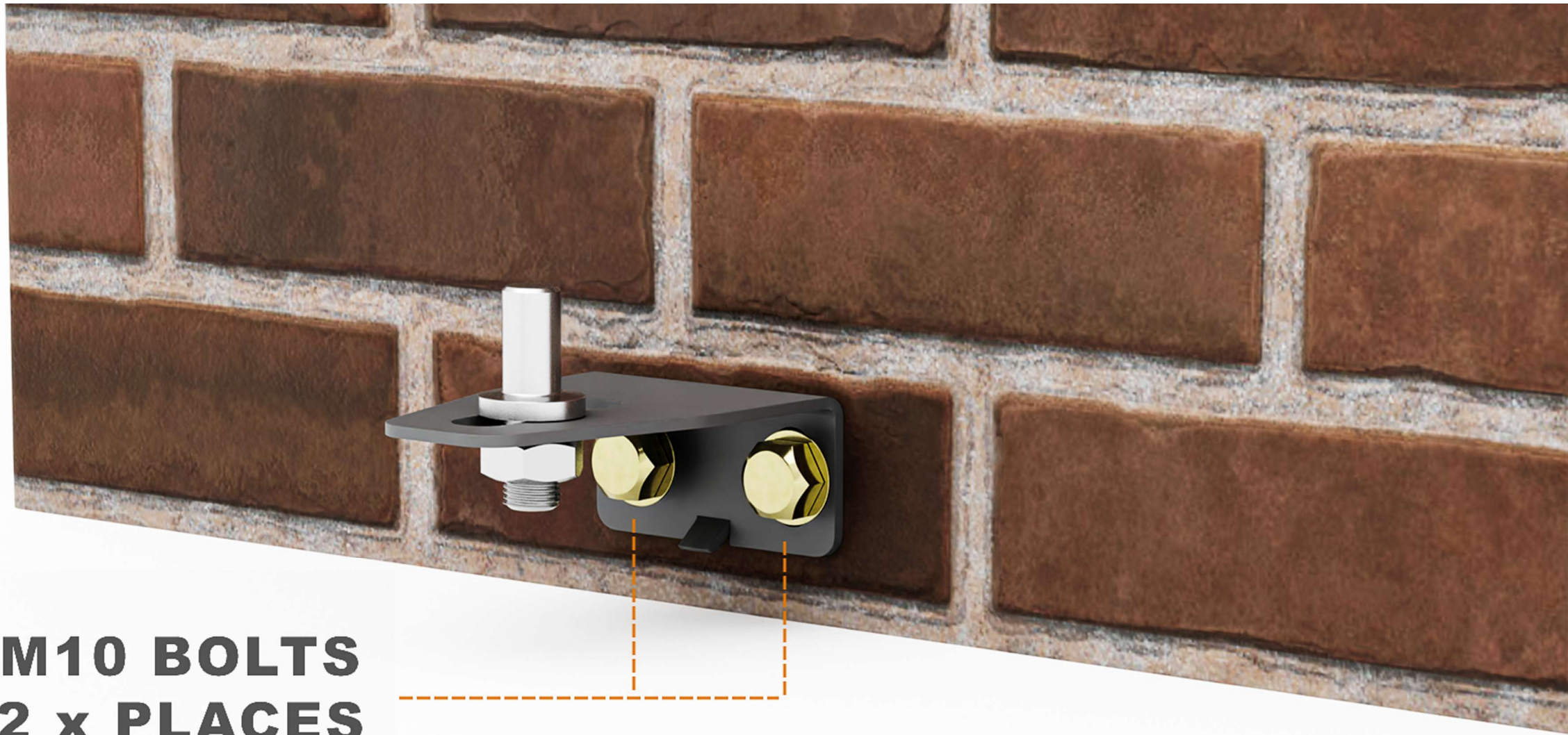
### NOTES

- 2 X PLACES
- 10MM DRILL





### **3: PRE-ASSEMBLE LOWER SPIGGOT**

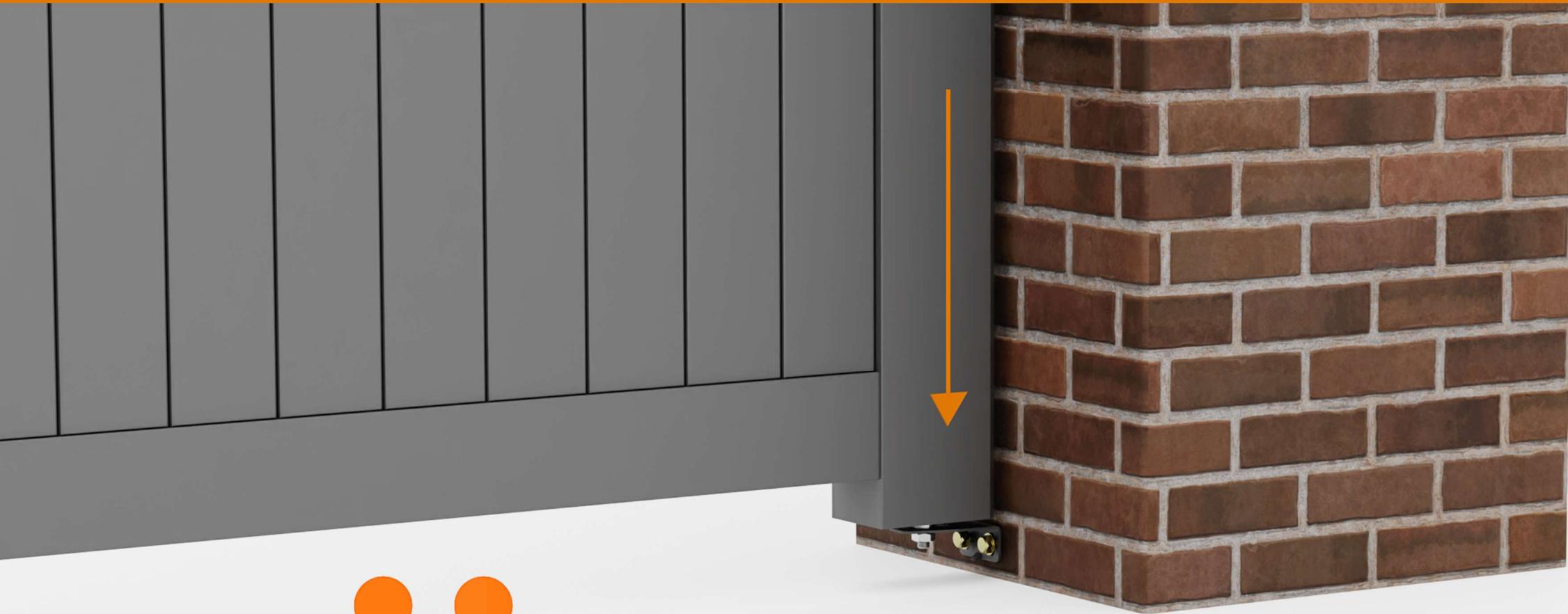


**M10 BOLTS  
2 x PLACES**

**4: FIX LOWER HINGE TO FLOOR**

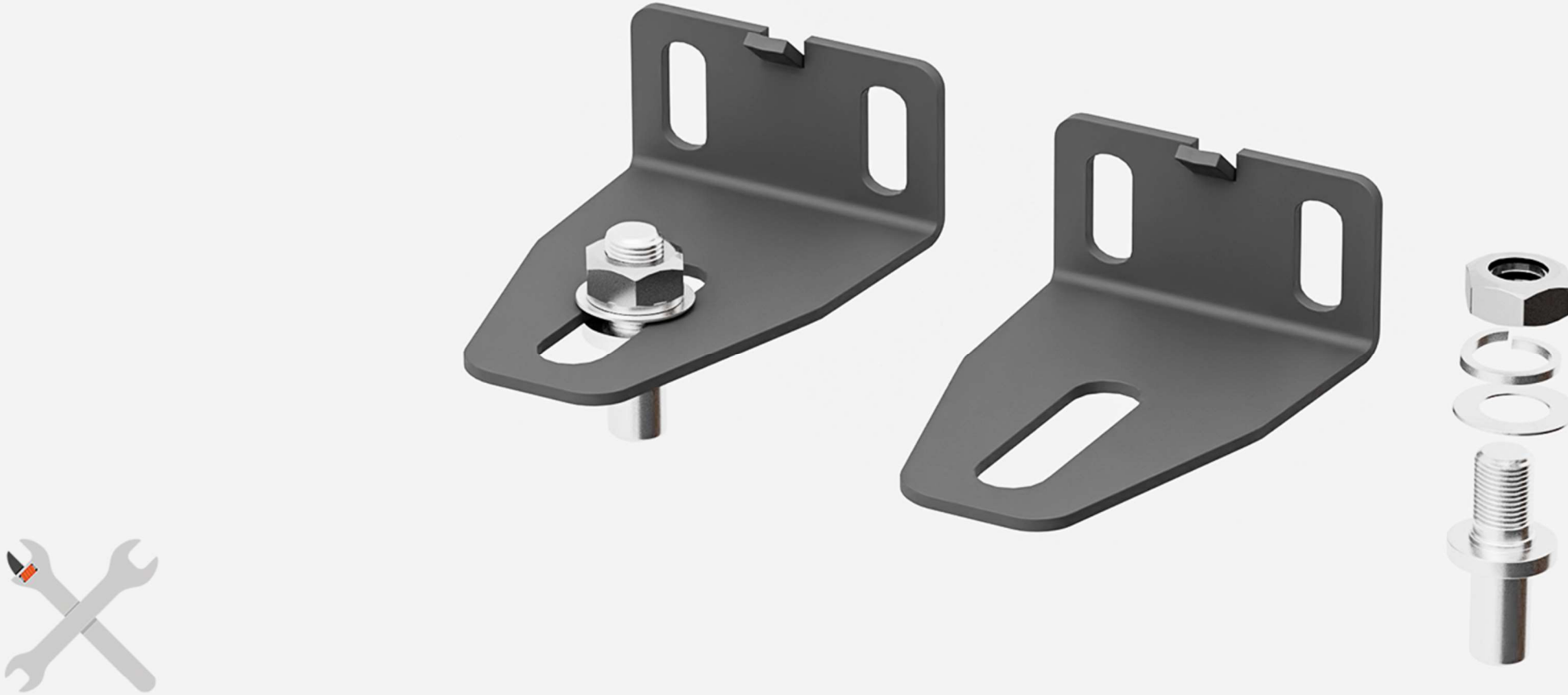


## 5: LOAD GATE - HOLD SQUARE



**TWO PERSON LIFT ADVISED**

## 6: ASSEMBLE UPPER SPIGGOT



### NOTES

- OPPOSITE TO LOWER BRACKET



## 7: MARK UPPER BRACKET



## NOTES

- HOLD GATE SQUARE
- MARK 2 X PLACES





**8: DRILL HOLES x 2**

## **NOTES**

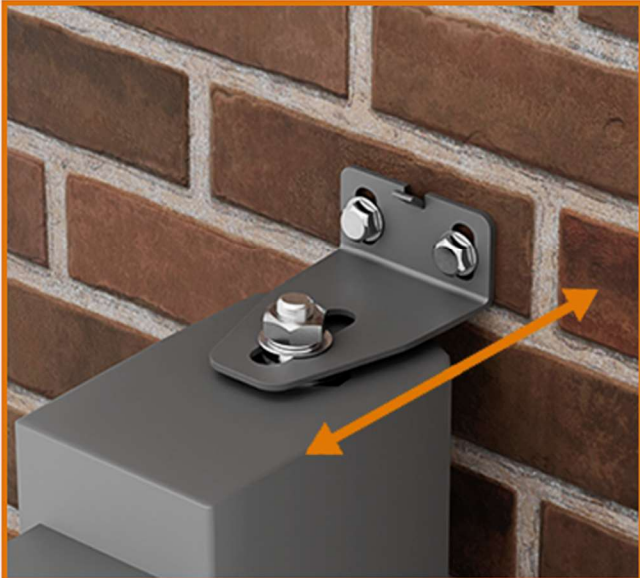
- **10MM DRILL**
- **50MM MIN DEPTH**





**9: FIX UPPER HINGE**

**REPEAT  
STEP 2 TO 9  
FOR LH GATE**



**2 X PLACES**

**10MM GAP**

**11: ADJUST UPPER HINGES**





**12: FIT COVERS - 4 X PLACES**

**PROJECT COMPLETE**

