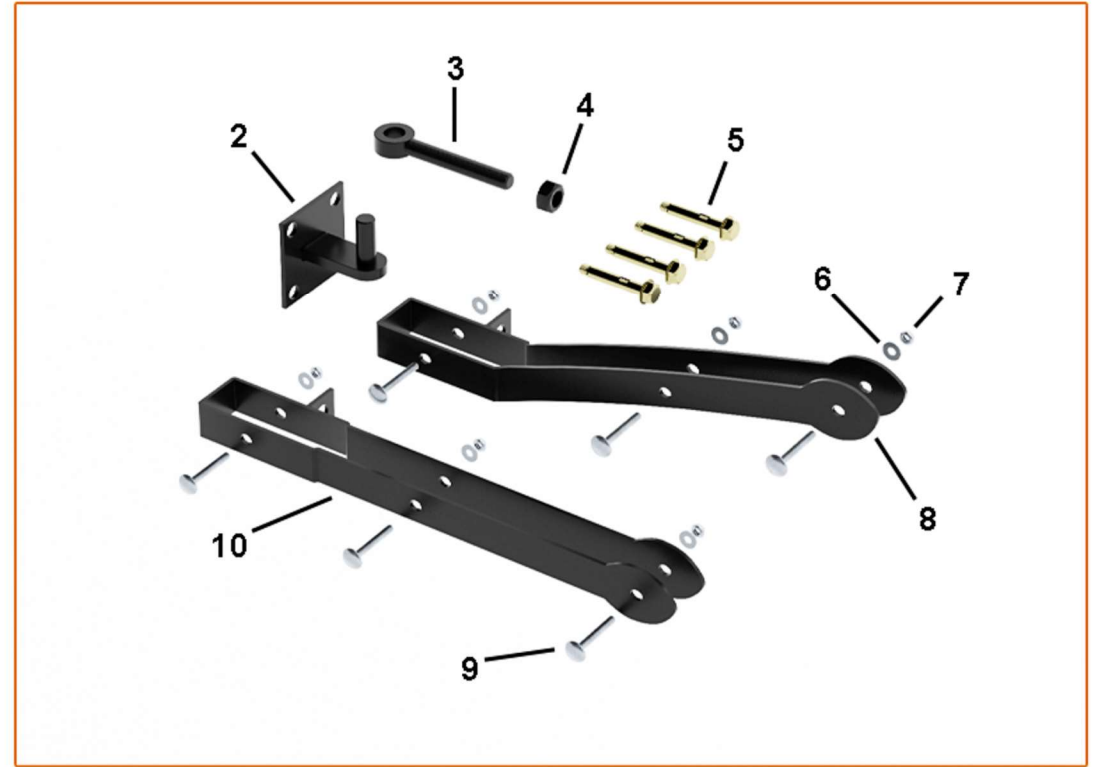
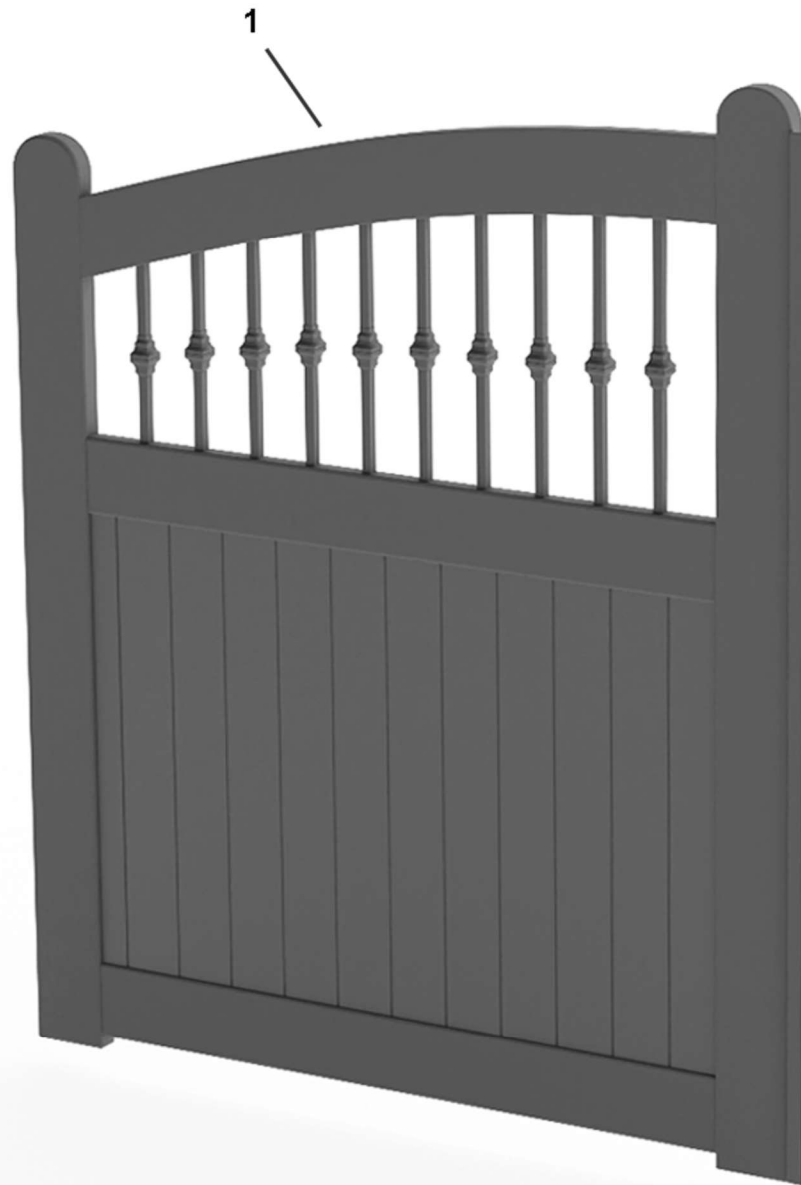


RMG008DG / RMG009DG FITTING INSTRUCTIONS



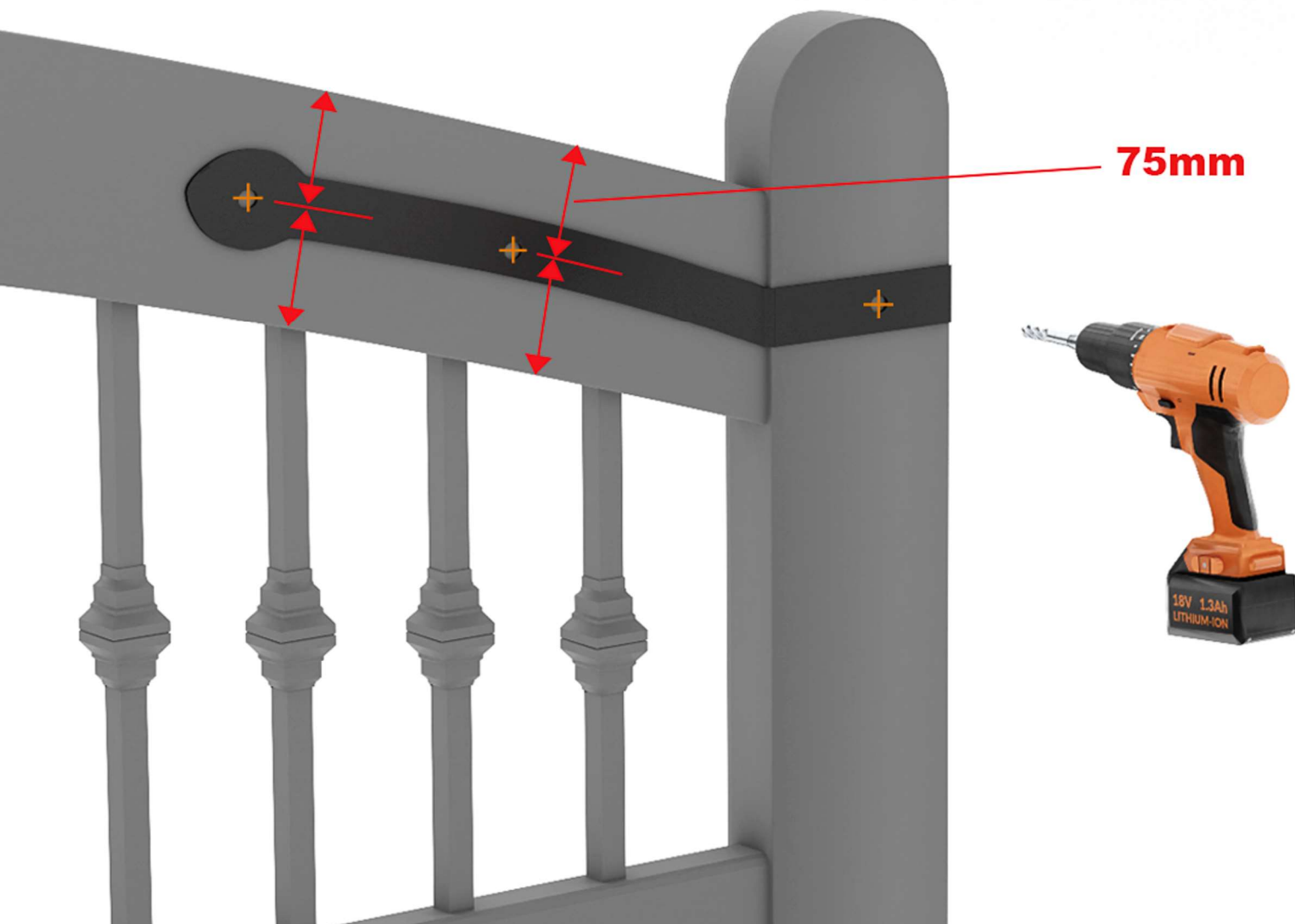


	DESCRIPTION	QTY
1	READY MADE DOUBLE GATE LH / RH	2
2	HINGE WALL BRACKET	4
3	HINGE LOOP	4
4	M15 HINGE NUT	4
5	ANCHOR BOLTS	16
6	M12 WASHER	12
7	M12 NUT	12
8	UPPER GATE HINGE	2
9	M12 COACH BOLT	12
10	LOWER GATE HINGE	2

1: CHECK WIDTH OF OPENING



2: MARK & DRILL GATE

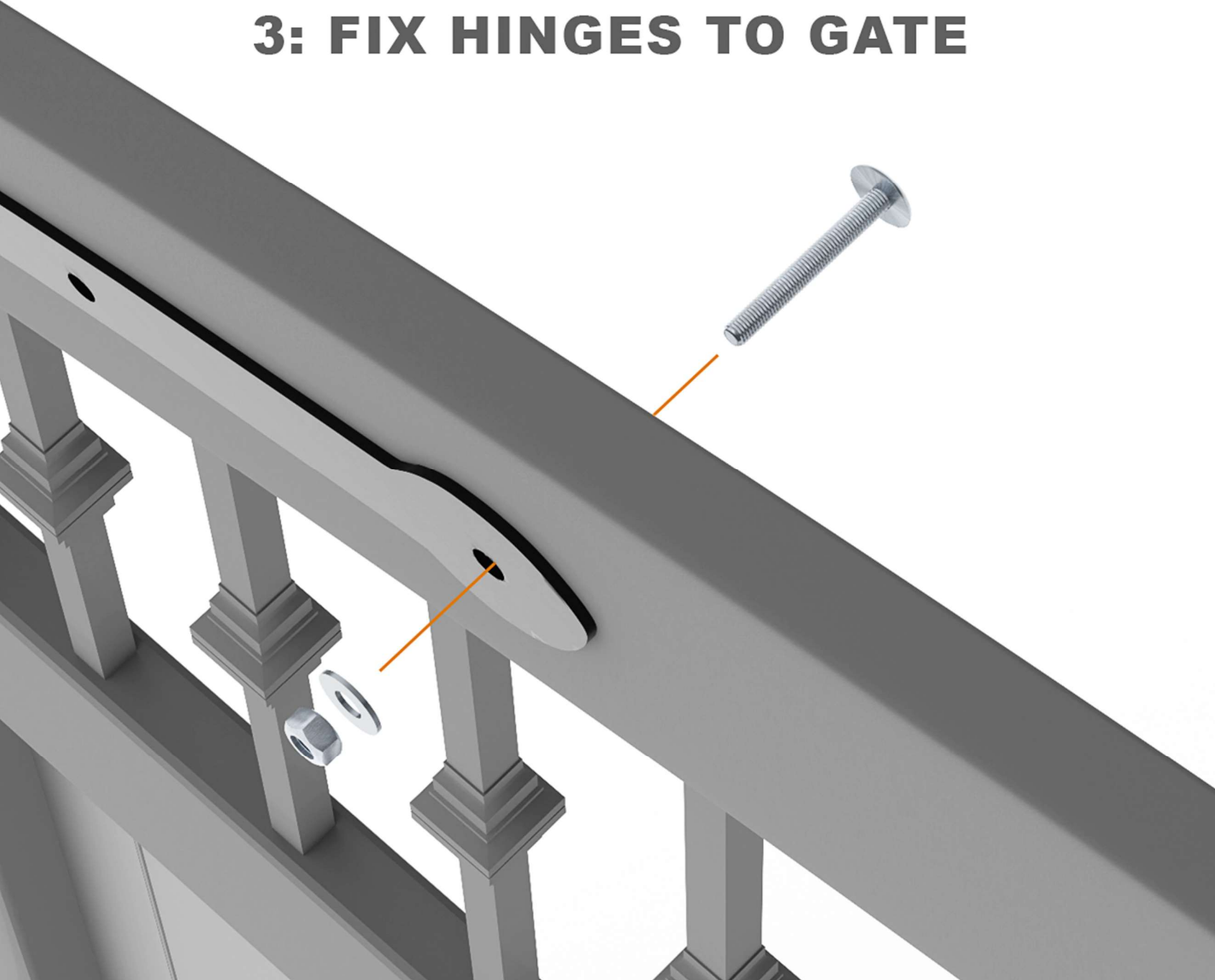


NOTES

- 8MM DRILL BIT
- EQUAL PLACEMENT
- 3 PLACES PER HINGE
- REMOVE HINGE BEFORE DRILLING



3: FIX HINGES TO GATE



NOTES

- M8 COACH BOLTS
- 6 X PLACES
- WRENCH OR SOCKET SET



4: DRILL & FIT LOWER HINGE SPIGOT

A)

**TOP OF PLATE
170MM MIN
FROM FLOOR**



12mm DRILL
REMOVE PLATE BEFORE DRILLING

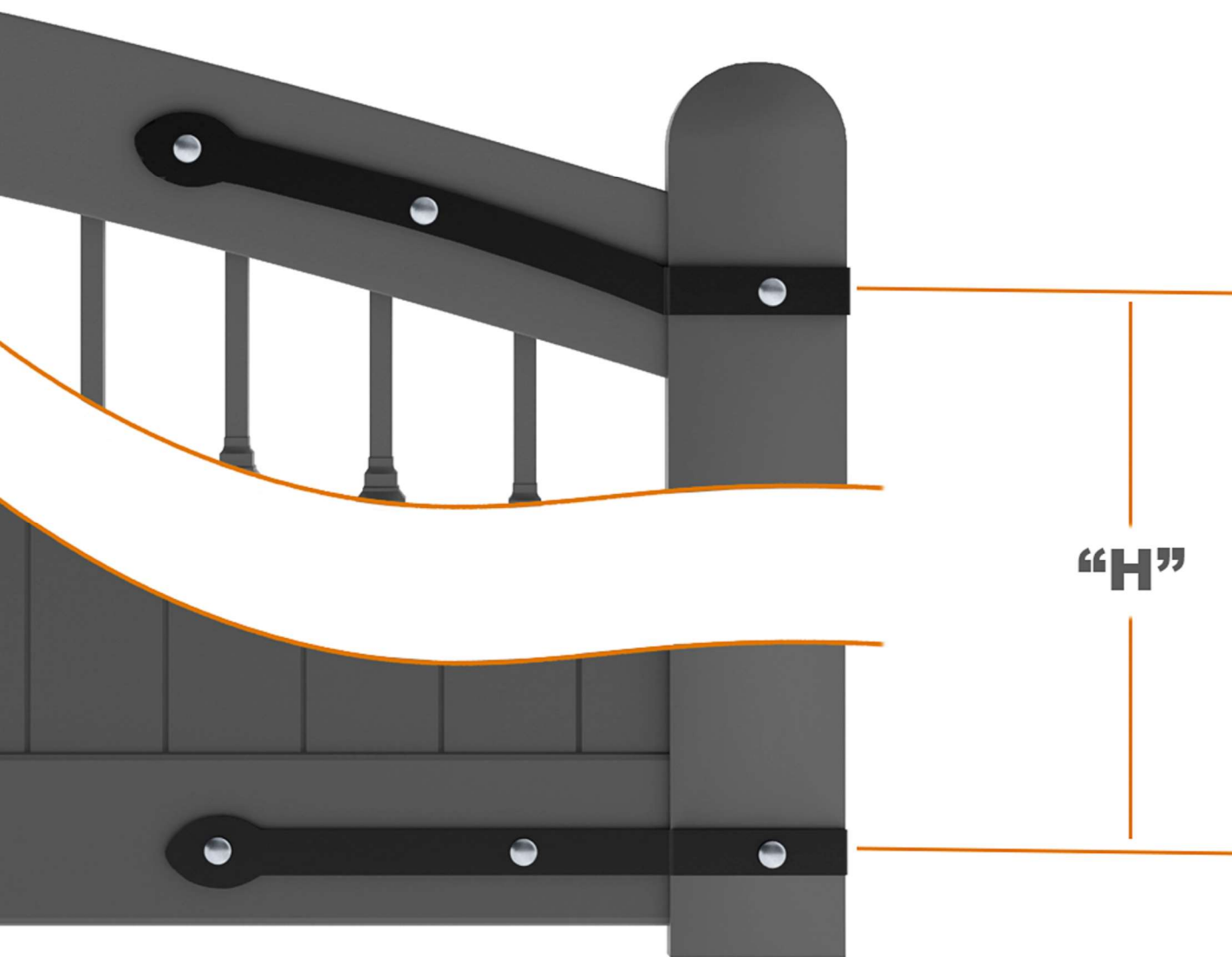


B)



FIX WALL ANCHORS x 4

5: CHECK DISTANCE



NOTES

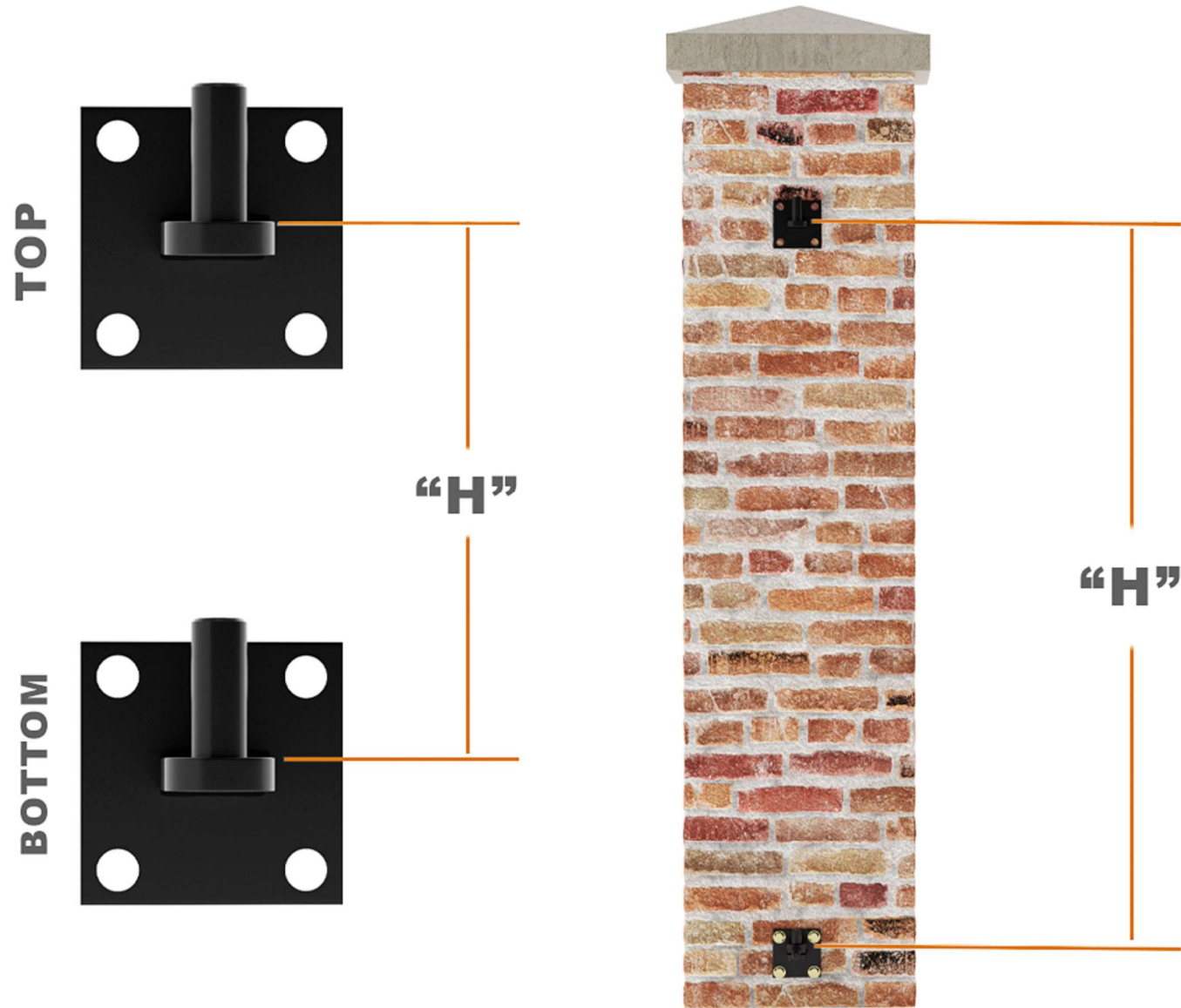
- TOP TO TOP OF BRACKET

DISTANCE "H" \pm 5mm

- 1800mm GATE - 1220mm
- 2000mm GATE - 1420mm



6: MARK UPPER HINGE POSITION



NOTES

DISTANCE "H"

- 1800mm GATE - 1220mm
- 2000mm GATE - 1420mm

- ENSURE PLUMB

- MARK POSITION 4 PLACES

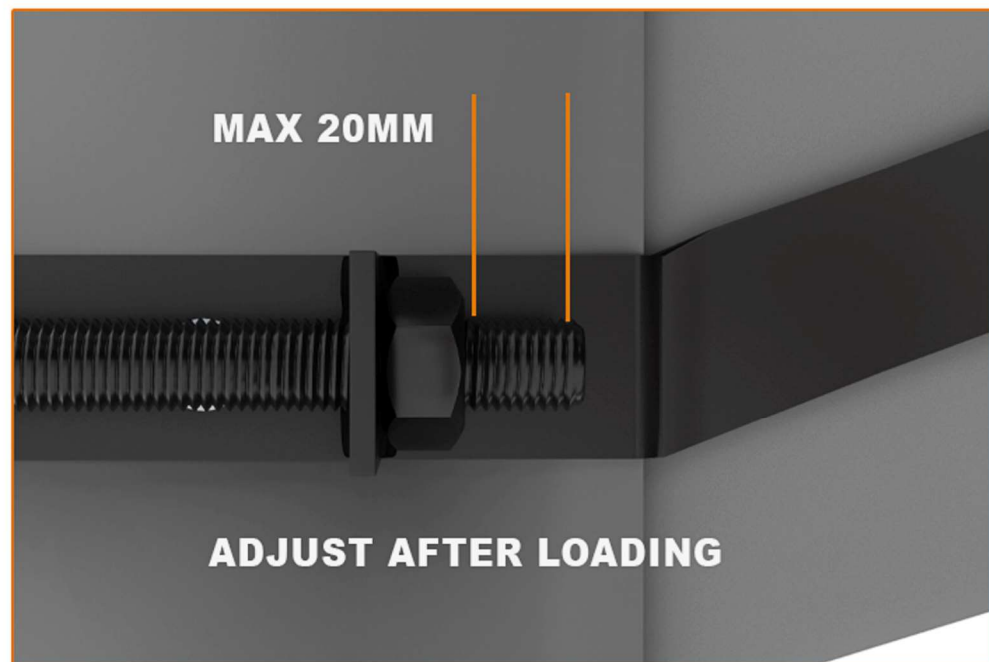


7: DRILL & FIT UPPER HINGE BRACKET

WALL ANCHORS x 4

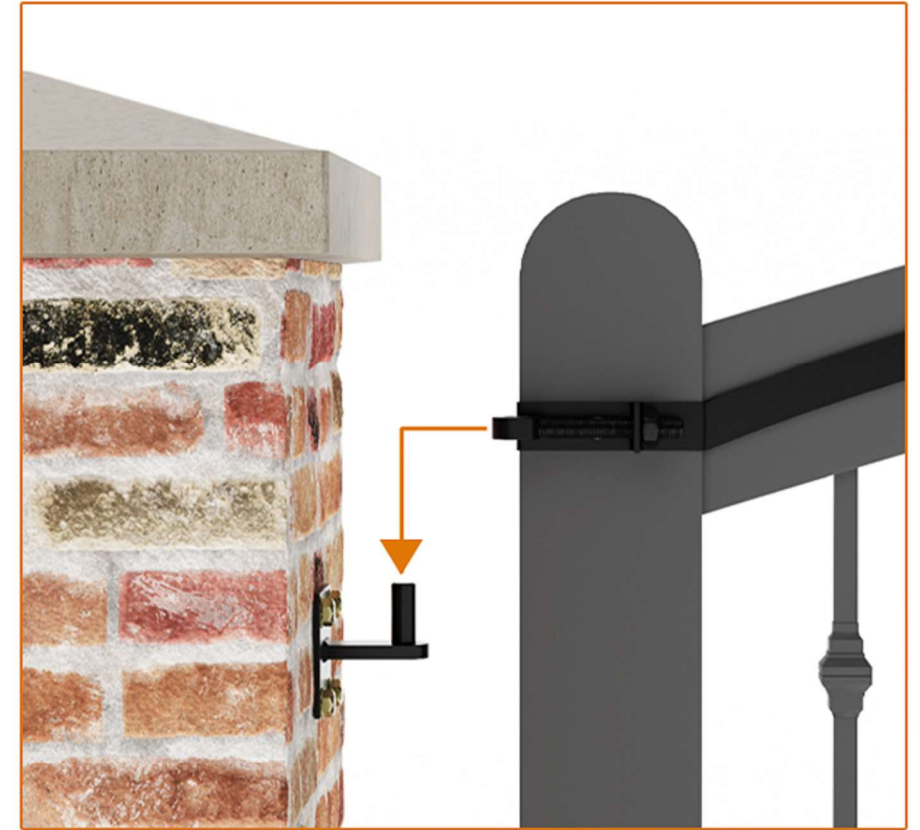


8: PRE-ASSEMBLE HINGES x 2



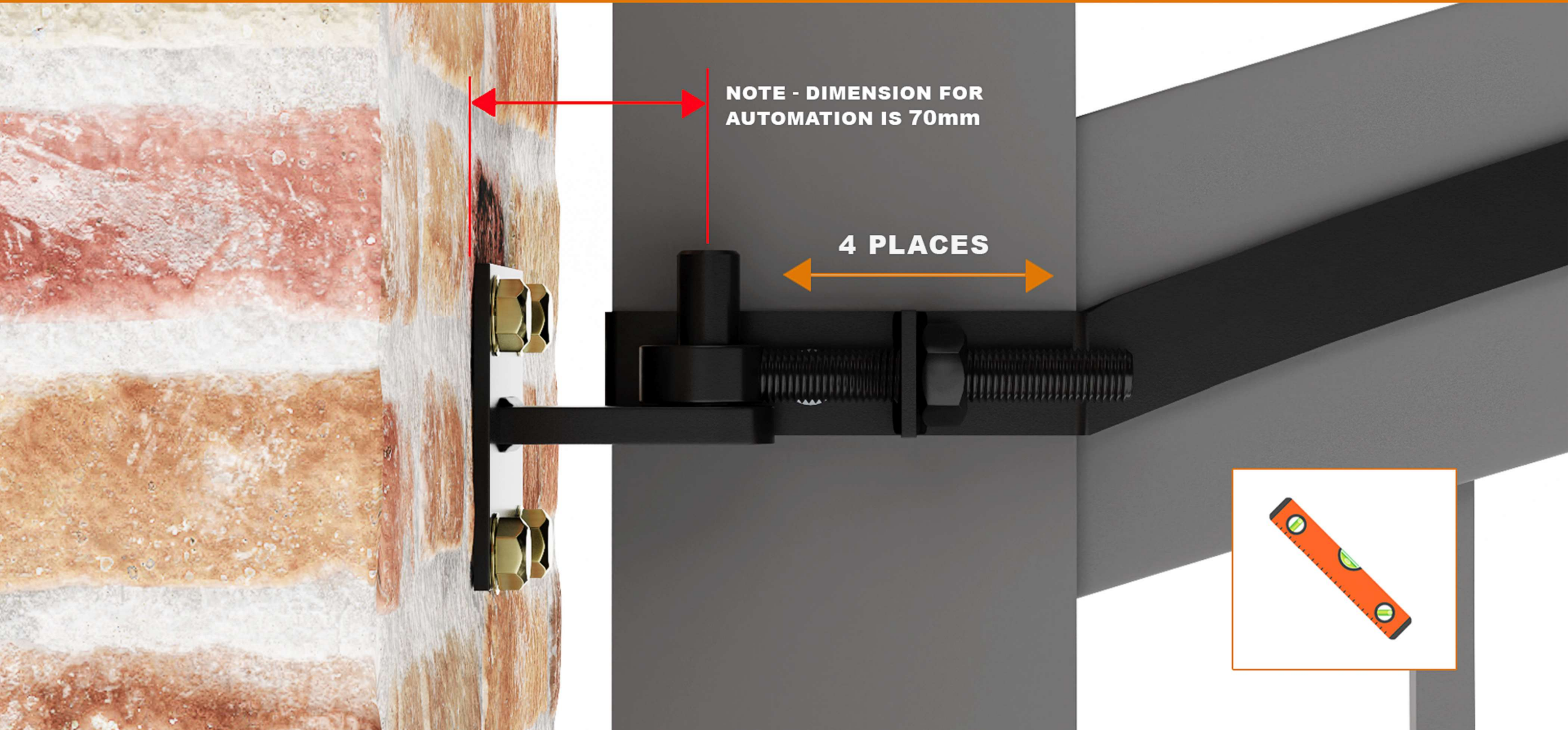
9: LOAD GATE ONTO WALL HINGES

(TWO PERSON LIFT)



**10: REPEAT FROM
STEP 2 to STEP 9
FOR LH GATE**

11: ADJUST GATES TO SUIT ALIGNMENT



PROJECT COMPLETE

